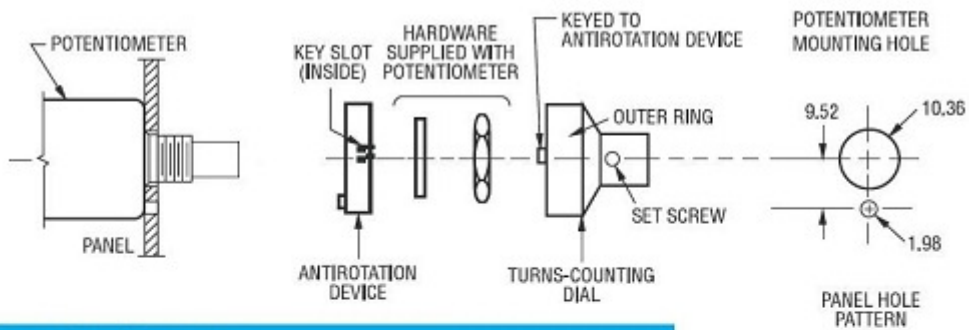
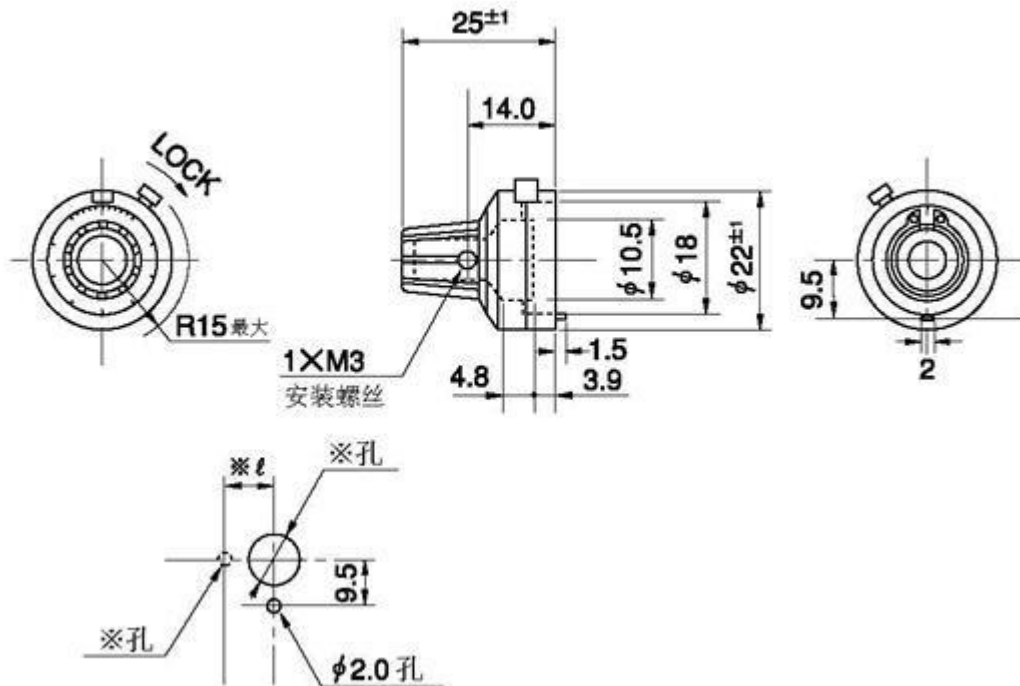
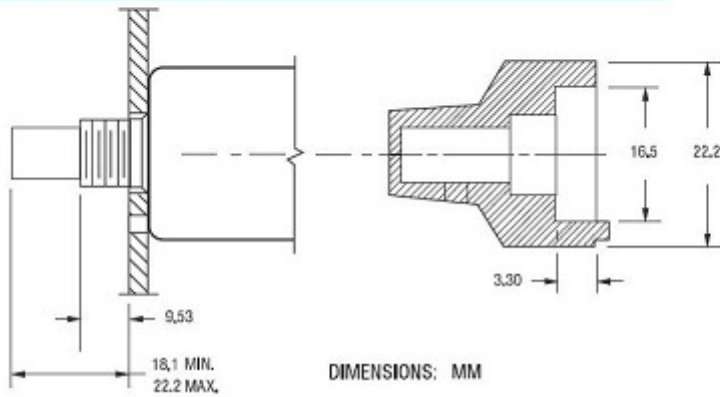


Licznik obr. 10obr. WXD3590 nr kat 07189



Dimensional Drawings



H-22 MOUNTING INSTRUCTIONS

1. Insert potentiometer in panel.
2. Install anti-rotation device using hardware supplied with potentiometer.
3. Turn potentiometer shaft counterclockwise to minimum resistance or voltage ratio.
4. Set the dial to "0.0" and brake on.
5. Insert the dial on the potentiometer shaft lightly against the panel.
6. Tighten set screw to potentiometer shaft.

Mechanical and Physical Characteristics

Number of Turns : 0 ~ 15

Dial Divisions : 50 per turn

Readability - Over 10 Turns: 2 parts in 1000

Torque With Brake Engaged : 500 g-cm min

Markings: Black on satin chrome background or white on black background

Locking Brake: Yes

Weight: 15 grams

Set Screw: UNC N2-56, one included

Set Screw Tightening Torque: 16.94 N-cm min

Hex Key Size: 0.05 in. hex

Shaft and Bushing Requirements

Shaft Diameter Requirements: Refer to chart below

Shaft Extension Beyond Panel: 18.1 mm Min 22.2 mm Max

Bushing Extension Beyond Panel: 9.53 mm Max